

S.C. INSTAL POMPE SB S.R.L.  
sura mica sibiu  
principala 96  
0040-557270  
Tel. 0755418009 Fax 0269577151

Date Tehnice



Project  
Project ID

Page: 1 / 3  
Date: 2009-02-06

Created by:

<b>1</b>	<b>Operating data</b>			
2	Fluid	Wastewater	Static head	0 m
3	Temperature	10 °C	Lost head	0 m
5	Density	0.99964 kg/dm <sup>3</sup>	Man. head Hman	0 m
4	Kin. viscosity	1.3111 mm <sup>2</sup> /s		
6	Flow	0 m <sup>3</sup> /h		

<b>8</b>	<b>Pump</b>			
9	Manufacturer	Jung Pumpen	Max. working temperature	40 °C
10	Pump name	UB 62 DS	Nominal pressure stage	
11	Flow rate (base load)		Suction port	
12	Delivery head (base load)		Discharge port	G 1 1/2"
13	Flowe rate (peak load)		Power input P1	
14	Delivery head (peak load)		Speed	2800 1/min
15	Impeller type	Vortex impeller	Impeller Ø	10 mm

<b>17</b>	<b>Materials</b>			
18	Housing	GG-25		
19	Shaft	1.4104		
20	Impeller	Amodel		
21	Motor housing	1.4301		

<b>23</b>	<b>Shaft seal</b>			
24				
25				

<b>27</b>	<b>Motor</b>			
28	Manufacturer	Jung Pumpen		
29	Motor type	3~	Frame size	71
30	Frequency	50 Hz	Protectiv system	IP 68
31	Power	0.6 kW	cos φ	0.87
32	Rated speed	2800 1/min		
33	Rated voltage	400 V		
34	Rated current	1.4 A		

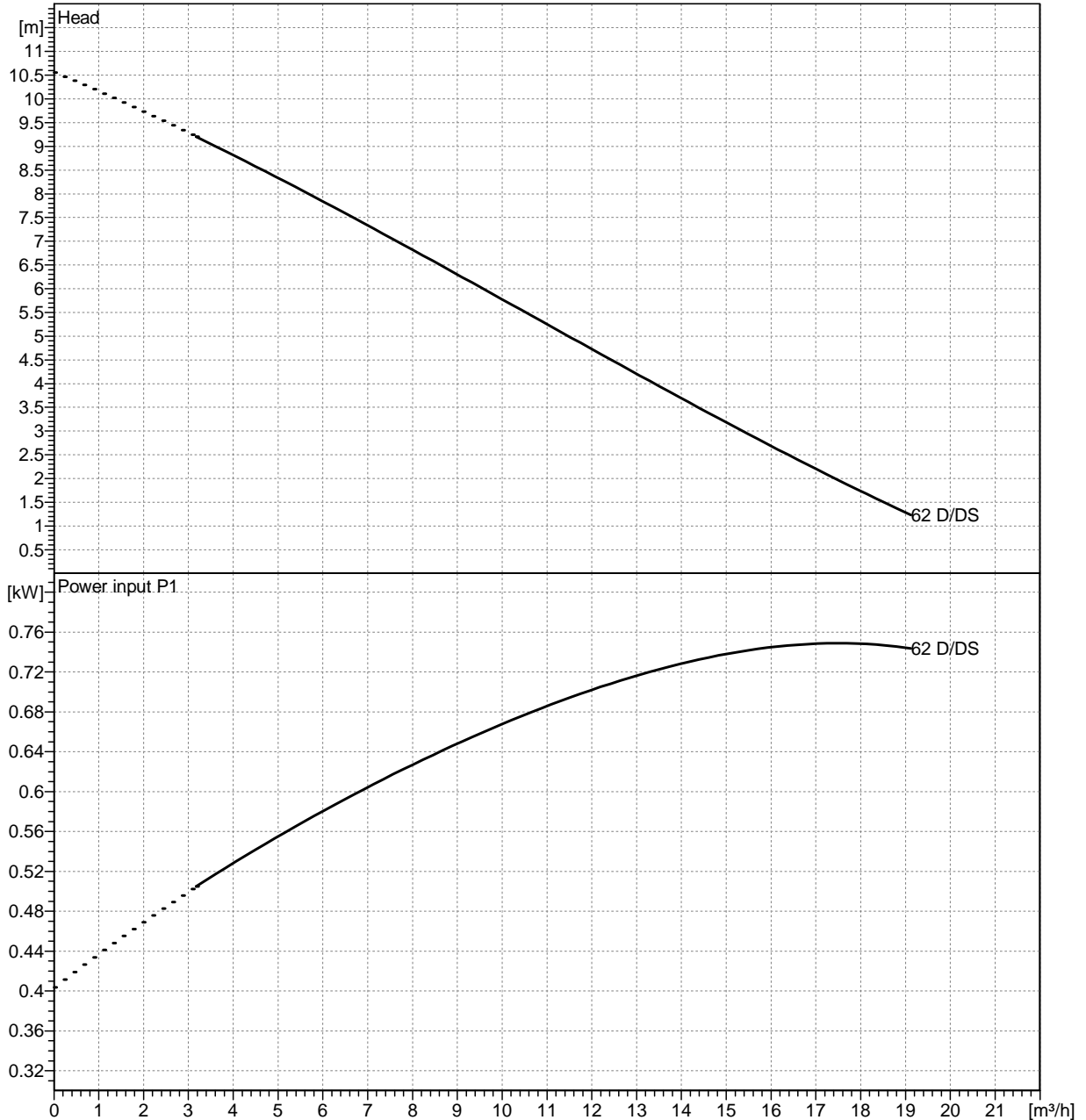
<b>36</b>	<b>Unit</b>			
37	Mode of Operation	S1	Weight	14 kg

<Kunde:>  
<Straße>  
<PLZ / Ort>  
<Telefonnummer>

Project <Projekt:>  
Project ID Kennlinie / Performance Curve  
Created by: <Erstellt durch>

Page: 2 / 3  
Date: 2009-02-06

**UB 62 DS**



**Pump:** UB 62 DS  
**Fluid:** Wastewater

**Operating point (single):**  
**Operating point (parallel):**

S.C. INSTAL POMPE SB S.R.L.  
sura mica sibiu  
principala 96  
0040-557270  
Tel. 0755418009 Fax 0269577151

## Dimensiuni Principale



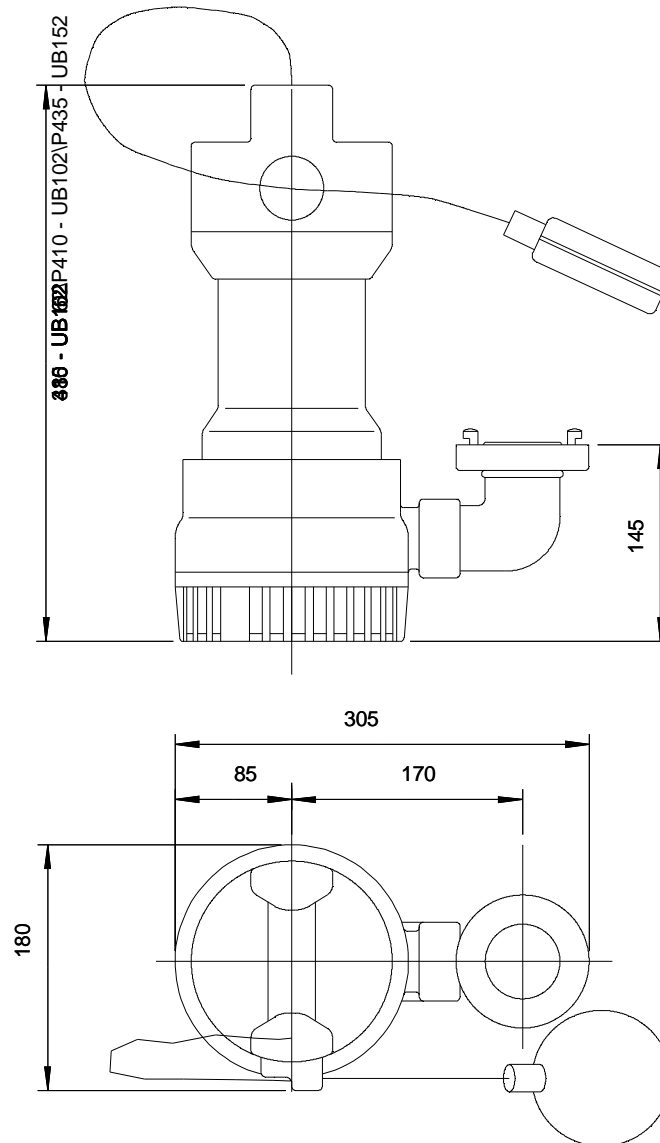
<Kunde:>  
<Straße>  
<PLZ / Ort>  
<Telefonnummer>

Project  
Project ID  
Created by:

<Projekt:>  
Abmessungen / Dimensions  
<Erstellt durch>

Page: 3 / 3  
Date: 2009-02-06

### UB 62 DS



4 25636-03